

Top End® Pro™ BB Wheelchair

Price List and Order Form

Effective January 15, 2010 Revised January 1, 2014

For accuracy of ordering, please fax order to Top End at 727-522-1007 or e-mail to TopEndOrders@invacare.com

For questions call 800-532-8677 or 727-522-8677.

To order Literature: 800-828-6282

www.topendwheelchair.com



Provider Name _____ Date _____ Top End Job Number _____
 Account # _____ P.O. # _____ Phone # _____ Fax # _____
 Address _____ City _____ State _____ Zip Code _____
 Customer Name _____ Email _____ Phone No _____
 Address _____ City _____ State _____ Zip Code _____

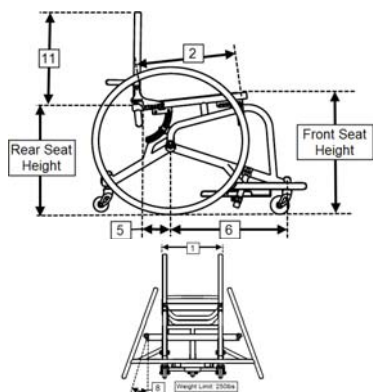
Ship order to: Provider Customer

Order will ship to Provider unless otherwise noted.

- SPBB: Top End Pro Basketball Aluminum Wheelchair \$2,395.00
- 1. SEAT WIDTH: 10"¹ 11"² 12"³ 13" 14" 15" 16" 17" 18" 19" 20"
- 2. SEAT DEPTH: 10" 11" 12" 13" 14" 15" 16" 17" 18"
Screw-on Seat Upholstery Standard
- 3. ADJUSTABLE SEAT HEIGHT: choose tall or short
 - TALL: Front Seat Height 19-21": set at 19" Std.
Rear Seat Height 15-21" : set at 17" Std.
 - SHORT: Front Seat Height 17-19": set at 18" Std.
Rear Seat Height 13-17" : set at 16" Std.
- 4. FOOTREST: Platform Footrest (w/ Velcro strap) Standard⁴
- TER124 Footrest Click strap upgrade 75.00
- 5. AXLE POSITION: CENTER OF GRAVITY⁵
Adjustable Axle Position: 3.5" to 6" Set at _____ (5.0 Std)⁶
- 6. WHEEL BASE: 15" (Short) 17" (Med) (Std.) 19" (Long)

Wheel Base Guide			
Seat Depth	14"	15", 16"	17", 18"
Recommended Wheel Base	15" (Short)	17" (Med)	19" (Long)

- 7. ANTI-TIP/5TH WHEEL: Fixed Single Anti-tip Standard
- TER115 Double Anti-tip (swivel), Aluminum 120.00
- 8. CAMBER: 15° 18° (Std.) 20° (no other camber available)



Wheel Size Guide		
Rear Seat Height	16.0" or less	16.5" - 19.0"
Recommended Wheel Size	24"(540)	25"(559)
		26"(590)

- 9. REAR WHEEL SIZE: 24"(540) 25"(559) 26"(590)
 - Sun® Performance Wheels w/ High Pressure Primo Tires Standard
 - TER131 Spinerge® SLX (4mm) upgrade (24 spokes) 895.00
 - Spoke color: (choose one)
 - Black Yellow White Red Blue
 - ~~TER202 Other than standard spoke color \$150.00~~
 - TER143 Sun® Equalizer Sport Wheel Upgrade (48 spoke, cross lacing pattern with 12 tab pushrims for 25" & 26") (36 spoke, cross lacing pattern with 6 tab pushrim for 24") 250.00
 - TER101 Kenda® Tires: Red or Yellow 75.00
 - TER21 Spokeguards: Clear or Black 75.00
- 10. PUSHRIMS, ANODIZED (Aluminum)
 - Standard mount Standard
 - Close mount NC
 - TER40 Cut Tabs Aluminum pushrim 40.00
 - TER129 12-Tab upgrade (Spinerge only, no 24") 150.00
- 11. BACK: Non-folding, Adjustable Angle, Fixed Backrest. Standard
 - TER3 Folding back 250.00
 - Adjustable Tension Back Upholstery Standard
 - Height Ranges: Short 9" - 11" Low 11" - 14" Med 14" - 18"
- 12. SIDE GUARDS:
 - TER95 Clamp-On Fixed aluminum side guards 125.00⁷
 - TED 21 Fold-in aluminum sideguards 125.00
- SAFETY AND COMFORT OPTIONS:
 - TER14 Cushion, soft 2" 3" 75.00
 - TER33 Cushion, hard 2" 3" 4" 125.00
 - TER148 Basketball carrying bag \$75.00
 - TER149 Back upholstery upgrade: 3" leather flap aluminum plugs \$100.00
 - TER35 Frame protector - rear 20.00⁸
 - TER126 Click strap large (pad length ~12") 86.00
 - TER125 Click strap medium (pad length ~10") 80.00
 - TER124 Click strap small (pad length ~8") 75.00
 - TED72 Positioning Strap - Hook & Loop 40.00
 - TER128 Medal O-Ring positioning belt 60.00
 - RACE22 Top End T-Shirt, L XL 10.00
- UPHOLSTERY Black std UPH1 Woodland Camouflage 100.00
 UPH2 Digital Desert Camouflage 100.00

- CONTEMPORARY COLORS
 - Wet Black White Snow Silver Metallic
 - Stealth Black

- WAY COOL COLORS
 - Electric Blue Midnight Blue Grasshopper Green

- TOO HOT COLORS
 - Tangerine Red Electric Red Grape Madness
 - Safety Yellow Orange Bubblegum Pink

FOOTNOTES

- ⁷ Fixed back only
- ⁸ Required for tournament play.

FOOTNOTES

- ¹ 10" Seat Widths receive oval sport footplate without toe-stops.
- ² 11" Seat Widths receive oval sport footplate without toe-stops.
- ³ 12" Seat Widths receive oval sport footplate without toe-stops.
- ⁴ Platform Footrest includes Adjustable Angle Plate with Toe Stop, and Velcro Strap. Footrest adjusts Up/Down, Fore/Aft, Angle..
- ⁵ Measure the user's existing chair from the Front of the Backpost, horizontally (as shown in side view pg 1), to the center of the rear axle.
- ⁶ Adjustable Center of Gravity: Non-folding, angle adjustable backrest. If side guards are desired, Clamp-on style is the only compatible option.

Top End® Pro™ BB Wheelchair



Invacare Corporation
TOP END
Sports and Recreation Products
4501 63rd Circle North
Pinellas Park, FL USA
33781-5914

www.invacare.com

All rights reserved. Trademarks are identified by the symbols ™ and ®. All trademarks are owned by or licensed to Invacare Corporation unless otherwise noted.
Spinergy is a registered trademark of Spinergy, Inc. Sun is a registered trademark of Sun Components Inc.
Kenda is a registered trademark of Kenda Rubber Industrial Co. Ltd.
Specifications and prices are subject to change without notification.
©2014 Invacare Corporation