

# Price List and Order Form

Effective January 1, 2010 Revised January 1, 2014

For accuracy of ordering, please fax order to Top End at 727-522-1007 or e-mail to TopEndOrders@invacare.com

For questions call 800-532-8677 or 727-522-8677.

To order Literature: 800-828-6282

www.topendwheelchair.com



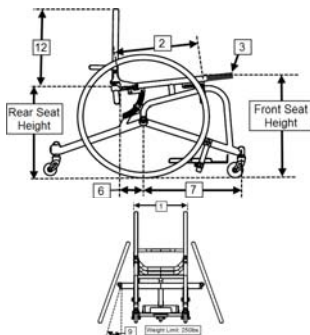
Provider Name \_\_\_\_\_ Date \_\_\_\_\_ Top End Job Number \_\_\_\_\_  
 Account # \_\_\_\_\_ P.O. # \_\_\_\_\_ Phone # \_\_\_\_\_ Fax # \_\_\_\_\_  
 Address \_\_\_\_\_ City \_\_\_\_\_ State \_\_\_\_\_ Zip Code \_\_\_\_\_  
 Customer Name \_\_\_\_\_ Email \_\_\_\_\_ Phone No \_\_\_\_\_  
 Address \_\_\_\_\_ City \_\_\_\_\_ State \_\_\_\_\_ Zip Code \_\_\_\_\_

Ship order to:  Provider  Customer **Order will ship to Provider unless otherwise noted.**

- SPTN: Top End Pro Tennis Aluminum Wheelchair ..... \$2,395.00
- 1. SEAT WIDTH:** 10"<sup>1</sup> 11"<sup>2</sup> 12"<sup>3</sup> 13" 14" 15" 16" 17" 18" 19" 20"
- 2. SEAT DEPTH:** 10" 11" 12" 13" 14" 15" 16" 17" 18"   
Screw-on Seat Upholstery..... Standard
- 3. SEATEXTENSIONS/HANDLES:**<sup>4</sup>  
 None (Std.)  Right Only  Left Only  Right and Left (both)
- 4. ADJUSTABLE SEAT HEIGHT: choose tall or short**  
**TALL:** Front Seat Height 19-21": set at 19" Std.  
Rear Seat Height 15-21": set at 17" Std.  
 **SHORT:** Front Seat Height 17-19": set at 18" Std.  
Rear Seat Height 13-17": set at 16" Std.
- 5. FOOTREST:** Platform Footrest (w/ Velcro strap) ..... Standard<sup>5</sup>
- TER124** Footrest Click strap upgrade..... 75.00
- 6. AXLE POSITION: "CENTER OF GRAVITY"**<sup>6</sup>  
Adjustable Axle Position: 3.5" to 6" Set at **(5.0 Std)**<sup>7</sup>
- 7. WHEEL BASE:** 15" (Short) 17" (Med) (Std.) 19" (Long)

| Seat Depth             | 14"         | 15", 16"  | 17", 18"   |
|------------------------|-------------|-----------|------------|
| Recommended Wheel Base | 15" (Short) | 17" (Med) | 19" (Long) |

- 8. ANTI-TIP/5<sup>TH</sup> WHEEL:** Fixed Single Anti-tip Standard
- TER102** Telescoping ..... 200.00
- 9. CAMBER:**  15°  18°  20° (Std.) (no other camber available)



| Rear Seat Height       | 16.0" or less | 16.5" - 19.0" | 19.0" - 21.0" |
|------------------------|---------------|---------------|---------------|
| Recommended Wheel Size | 24"(540)      | 25"(559)      | 26"(590)      |

- 10. REAR WHEEL SIZE:**  24"(540)  25"(559)  26"(590)
- Sun® Performance Wheels w/ High Pressure Primo Tires..... Standard
- TER131** Spinergy® SLX (4mm) upgrade (24 spokes) ..... 895.00
- Spoke color:** (choose one)  
 Black  Yellow  White  Blue  Red
- TER143** Sun® Equalizer Sport Wheel Upgrade (48 spoke, cross lacing pattern with 12 tab pushrims for 25" & 26") (36 spoke, cross lacing pattern with 6 tab pushrim for 24")..... 250.00
- TER101** Kenda® Tires:  Red or  Yellow ..... 75.00
- TER21** Spokeguards:  Clear or  Black ..... 75.00
- 11. PUSHRIMS, ANODIZED (Aluminum)**  
 Standard mount ..... Standard  
 Close mount ..... NC
- TER40** Cut Tabs Aluminum pushrim ..... 40.00
- TER8** Coated Pushrims ..... 100.00
- 12. BACK:** Non-folding, Adjustable Angle, Fixed Backrest .. Standard  
 **TER3** Folding back ..... 250.00  
Adjustable Tension Back Upholstery ..... Standard  
**Height Ranges:**  Short 9" - 11"  Low 11" - 14"  Med 14" - 18"

- 13. SIDE GUARDS:**  
 **TER95** Clamp-On Fixed aluminum side guards ..... 125.00<sup>8</sup>  
 **TED 121** Fold-in aluminum sideguards ..... 125.00
- SAFETY AND COMFORT OPTIONS:**  
 **TER14** Cushion, soft  2"  3" ..... 75.00  
 **TER33** Cushion, hard  2"  3"  4" ..... 125.00  
 **TER149** Back upholstery upgrade: 3" leather flap aluminum plugs ..... \$100.00  
 **TER35** Frame protector – rear ..... 20.00  
 **TER126** Click strap large (pad length ~12") ..... 86.00  
 **TER125** Click strap medium (pad length ~10") ..... 80.00  
 **TER124** Click strap small (pad length ~8") ..... 75.00  
 **TED72** Positioning Strap – Hook & Loop ..... 40.00  
 **TER128** Medal O-Ring positioning belt ..... 60.00  
 **RACE22** Top End T-Shirt,  L  XL ..... 10.00

**UPHOLSTERY**  Black std  UPH1 Woodland Camouflage 100.00  
 UPH2 Digital Desert Camouflage 100.00

**CONTEMPORARY COLORS**  
 Stealth Black  Wet Black  White Snow  Silver Metallic

**WAY COOL COLORS**  
 Electric Blue  Midnight Blue  Grasshopper Green

**TOO HOT COLORS**  
 Tangerine Red  Electric Red  Grape Madness  
 Safety Yellow  Orange  Bubblegum Pink

## FOOTNOTES

- <sup>1</sup> 10" Seat Widths receive an oval sport footplate without toe stops.
- <sup>2</sup> 11" Seat Widths receive an oval sport footplate without toe stops.
- <sup>3</sup> 12" Seat Widths receive an oval sport footplate without toe stops.
- <sup>4</sup> Seat Extensions offer support during tennis play and are removable.
- <sup>5</sup> Platform Footrest includes Adjustable Angle Plate with Toe Stop, and Velcro Strap. Footrest adjusts Up/Down, Fore/Aft, Angle.
- <sup>6</sup> Measure the user's existing chair from the Front of the Backpost, horizontally (as shown in side view pg 1), to the center of the rear axle.
- <sup>7</sup> Adjustable Center of Gravity: Non-folding, angle adjustable backrest. If side guards are desired, Clamp-on style is the only compatible option.

## FOOTNOTES

<sup>8</sup> Fixed back only.



**Invacare Corporation**

**TOP END**

Sports and Recreation Products  
4501 63<sup>rd</sup> Circle North  
Pinellas Park, FL USA  
33781-5914

[www.invacare.com](http://www.invacare.com)

All rights reserved. Trademarks are identified by the symbols <sup>TM</sup> and ®. All trademarks are owned by or licensed to Invacare Corporation unless otherwise noted. Spinergy is a registered trademark of Spinergy, Inc. Sun is a registered trademark of Sun Components Inc. Kenda is a registered trademark of Kenda Rubber Industrial Co. Ltd. Specifications and prices are subject to change without notification.  
©2014 Invacare Corporation