

# Invacare® Top End® Force RX™ Handcycle

## Price List and Order Form

Effective **July 1, 2012 Revised March 1, 2014**

For accuracy of ordering, please fax order to Top End at 727-522-1007 or e-mail to TopEndOrders@invacare.com

For questions call 800-532-8677 or 727-522-8677.

To order Literature: 800-828-6282

www.topendwheelchair.com



Provider Name \_\_\_\_\_ Date \_\_\_\_\_ Top End Job Number \_\_\_\_\_  
 Account # \_\_\_\_\_ P.O. # \_\_\_\_\_ Phone # \_\_\_\_\_ Fax # \_\_\_\_\_  
 Address \_\_\_\_\_ City \_\_\_\_\_ State \_\_\_\_\_ Zip Code \_\_\_\_\_  
 Customer Name \_\_\_\_\_ Phone No \_\_\_\_\_  
 Address \_\_\_\_\_ City \_\_\_\_\_ State \_\_\_\_\_ Zip Code \_\_\_\_\_

Ship order to:  Provider  Customer

Order will ship to Provider unless otherwise noted.

### TOP END FORCE RX HANDCYCLE: RECLINING POSITION

- FRCRXA** Force RX Competitive 30 speed Handcycle w/adjustable carbon back and bolt-on headrest ..... \$6645.00
- FRCRXA5** Force RX Handcycle w/adjustable carbon fiber back and bolt-on headrest less cassette, front and rear wheels..... \$6100.00

### FORK: (Choose one. See diagrams below)

- Fixed length/Vertical Crank Height Adjustment ..... **Standard**
- XLT 49** Diagonal and Vertical Crank Height Adj. .... 300.00
- XLT81** Fixed length and fixed crank height ..... 250.00  
(measurements required on drawing #3 below)

**SEAT WIDTH:**  13"  14"  15"  16"  17"  18"  
(inside lower frame: see diagram page 3)

**WHEEL BASE:** **26" Rear Wheels:**  60"  62"  
**20" Rear Wheels:**  56"

**CAMBER:**  3° (Std.)  0°

### LOWER FORK STYLE:

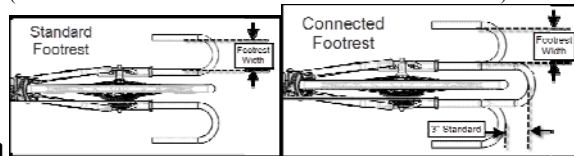
- Aerodynamic Narrow ..... **Standard**
- Wide Style (required for disk brakes and XLT 101)..... N/C

### DISK BRAKE UPGRADE:

- XLT66** Disk Brake: Available with Wide Style fork only and Standard or Corima Wheels only ..... 300.00<sup>6</sup>

**FOOTREST WIDTH:**  3 3/4"(Std.)  4 3/4"

- XLT83** Connected Footrest with bumper  
(not recommended for users under 5'8" tall or disk brake ) ..... 100.00<sup>7</sup>



### COMPONENT SELECTION: (select standard or one of upgrades)

#### 10 SPEED: STANDARD COMPONENTS X9

SRAM® X9 10 Speed Trigger Shifter, SRAM 11-36 cassette, SRAM® Derailleur Right Handle Mount Shifter and brake lever, Cane Creek® SCR-3 brake calipers Fork mounted locking second brake, SRAM Hollow Pin Chain... **Standard**

#### 10 SPEED COMPONENT UPGRADES: (for limited hand function see pg 2)

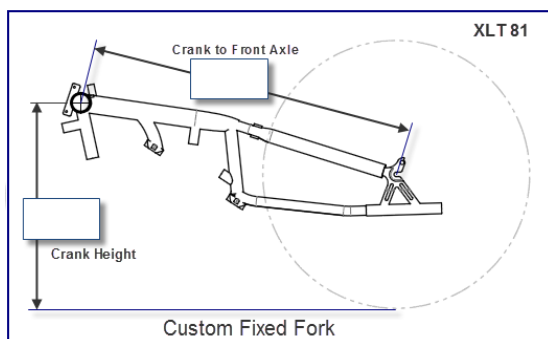
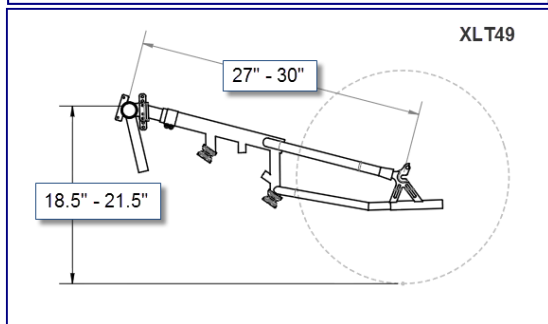
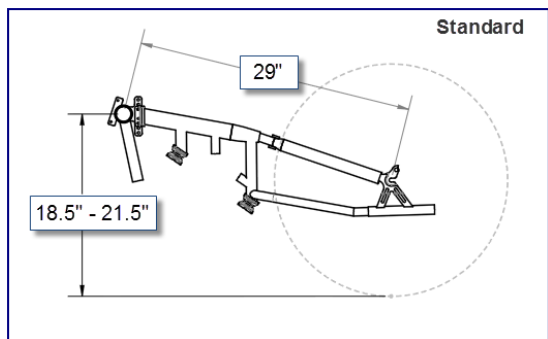
- XLT79** SRAM® XX 10 Speed Right Handle Mount Shifter and Pro Force lever, Torq Lite CNC brake calipers, SRAM 11-36 cassette SRAM® X.X. Derailleur, Hollow Pin Chain  
Fork mounted locking second brake. .... \$750.00
- XLT82** SRAM® 11-28 Cassette ..... 50.00<sup>3</sup>
- Second Brake Mounting Position: (choose one)
  - Fork Mounted locking..... Standard
  - Left Handle non-locking.....No Charge
  - Derailleur post non-locking (manual derailleur only)N/C

#### OR

- XLT80** SRAM® Rival 10 speed Fork Mounted Shifter and brake, SRAM XX 11-36 cassette, SRAM® X.X Derailleur, Hollow Pin Chain, Pro Force lever, Torq Lite CNC brake calipers..... \$750.00
- XLT82** SRAM® 11-28 Cassette ..... 50.00<sup>3</sup>
- Second Brake Mounting Position: (choose one)**
  - Fork Mounted locking ..... Standard
  - Left Handle non-locking .....No Charge
  - Derailleur post non-locking (manual derailleur only)N/C

### FOOTNOTES

<sup>7</sup> Connected footrest with bumper can be custom built upon request for short leg lengths. Not available with disk brake.



# Invacare® Top End® Force RX™ Handcycle

## UPPER DERAILLEUR: (Not applicable to XLT101)

- Thumb shifter activated derailleur..... **Standard**
- Manual activated derailleur ..... No Charge

## CHAINRINGS: (choose one) Operated by crank mounted shifter

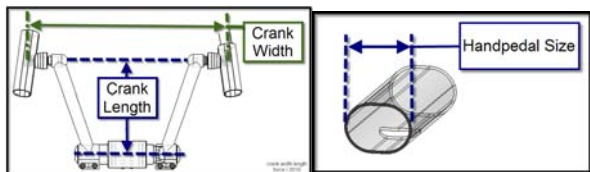
- 48-39-24 ..... **Standard**
- XLT41** Chain ring Option 53-39-28 ..... 100.00
- XLT89** Compact 110 48-34-22 ..... 100.00

## OPTIONS FOR LIMITED HAND FUNCTION:

- XLT98** Quad Cuff Handpedals with Powerplates ..... 200.00
- XLT101** \*Double Tap Frame Mounted Shifters with standard SRAM X9 components/fork mounted parking brake (right operates lower derailleur/left operates upper chainring) \*Elbow Activated Frame Mounted Brake levers (right operates front Disk Brake/left operates a caliper brake) ..... 800.00

## HANDPEDAL SIZE/ANGLE:

- Angle: 15 degrees ..... **Standard**
- XLT90** 25 degree angle ..... 100.00
- Medium Handpedal Size (1 3/4") ..... **Standard**
- XLT72** Small Handpedal Size (1 1/2") ..... 75.00
- XLT73** Large Handpedal Size (2 1/4") ..... 75.00
- XLT56** Power Plate Upgrade (included with XLT101) ..... 50.00



## CRANK ARMS: (choose length and width)

- Length (mm):  155  160  165  **170 (Std)**  175  180
- Width (inches):  12"  13"  **14" (Std)**  15"  16"
- XLT46** Extra crank arms: Length \_\_\_\_ Width \_\_\_\_ ..... 200.00

## WHEELS: (Threaded Axle Only)

- 26" (571) High performance clincher wheels ..... **Standard**
- XLT102** 20" Rear/26" Front High performance clincher wheels \$350.00

## PERFORMANCE WHEEL UPGRADES:(does not include standard wheels)

- XLT75** Top End Carbon (26" tubular)..... 2350.00
- XLT 78** Top End/Spinergy® Carbon (26" clincher) .....\$1800
- XLT67** Corima® AERO 26" Carbon (26" tubular)..... 3000.00
- XLT77** Time Trial Package: (tubular)  
Front Wheel: 26" Corima® AERO Carbon  
Rear Wheels: 26" Corima Disc ..... 3,250.00
- XLT103** Corima® Carbon 20" rear/ 26" Corima® AERO Carbon Front wheels (tubular) ..... 3000.00
- XLT62** High Performance 700C wheels (clincher only):.. 750.00

## TIRE UPGRADE: (26" Wheel size only)

- XLT51** Continental® Grand Prix tires (clincher only)..... 135.00
- XLT52** Continental® Sprinter (tubular only) ..... 125.00

## PERFORMANCE UPGRADE:

- XLT60\*** SRM® Training System ..... 3,250.00<sup>4</sup>

## SAFETY AND COMFORT OPTIONS:

- Seat and Back Cushions ..... **Standard**
- Drafting bumper, Chain Guard & Safety Flag **Standard**
- Headrest: adjustable bolt-on (carbon back only) **Standard**
- Crank width adaptor set (adds 1.5" per set) ..... 20.00
- Tool and Tire Repair Kit ..... 90.00
- Extra Safety Flag ..... 30.00
- Mirror, Chain Guard Mount ..... 35.00
- Water Bottle & Cage ..... 35.00
- Backpack Hydration System ..... 100.00
- Heart Rate Monitor ..... 100.00
- Cordless Computer ..... 125.00
- Helmet ..... 75.00  
 Small (6 5/8" - 7")  Medium (6 7/8" - 7 1/2")  Large (7 1/4" - 7 5/8")
- Leg Guard Attachment ..... 75.00
- Front Safety Light ..... 25.00
- Rear Flashing Light ..... 25.00
- Alignment Gauge ..... 75.00
- Bike Rack for Trailer Hitch ..... 450.00  
 1 1/4" (Std.)  2"
- Cable Kit ..... 35.00
- Extra Steering Dampener ..... 10.00
- LeMond® Revolution™ Trainer w/ power meter 1375.00<sup>4</sup>
- LeMond Revolution Trainer w/o power meter .925.00<sup>4</sup>
- Indoor Stationary Trainer ..... 250.00
- SportCrafters Mini-Roller Trainer ..... 350.00
- Click Strap Large (pad length~12") ..... 86.00
- Click Strap Med (pad length~10") ..... 80.00
- Click Strap Small (pad length~8") ..... 75.00
- Wheel Bag ..... 180.00<sup>4</sup>
- Handcycle Travel Bag ..... 300.00<sup>4</sup>
- Top End Bike Jersey  L  XL ..... 70.00<sup>4</sup>
- Top End T-Shirt  L  XL ..... 10.00<sup>4</sup>
- XLT 20, 42, 86, 87, 97, Race 4 &/or Race 20 ..... \$ \_\_\_\_\_

\* Indicates an item where the standard discount does not apply or there are additional shipping charges or both. Please request a quote.

## CONTEMPORARY COLORS

- Stealth Black  Wet Black  White Snow  Silver Metallic

## WAY COOL COLORS

- Royal Blue  Midnight Blue  Grasshopper Green

## TOO HOT COLORS

- Tangerine Red  Raspberry Red  Grape Madness
- Safety Yellow  Orange  Bubblegum Pink
- P1 Two color option** ..... \$100  
Fork color \_\_\_\_\_ Frame color \_\_\_\_\_

## Special Instructions:

---

---

---

---

---

---

---

---

---

---

## FOOTNOTES:

**Invacare Corporation** www.invacare.com

### TOP END

Sports and Recreation Products  
4501 63<sup>rd</sup> Circle North  
Pinellas Park, FL USA  
33781-5914

All rights reserved. Trademarks are identified by the symbols™ and®. All trademarks are owned by or licensed to Invacare Corporation unless otherwise noted. Shimano and Rapid Fire are registered trademarks of Shimano Inc. Spinergy is a registered trademark of Spinergy Inc. Zipp is a registered trademark of Composites, Inc. Cane Creek is a registered trademark of Cane Creek Cycling Components. Corima is a registered trademark of Corima SA. SRM is a registered trademark of SRM Service Center Inc. USA SRAM is a registered trademark of SRAM Corp. Continental is a registered trademark of Continental Corp. Rotor is a registered trademark of Rotor Components, LLC. LeMond and Revolution are a registered trademarks of Lemond Fitness, Inc.

©2014 Invacare Corporation

Form No. 12-381 Rev 03.14  
P2007-029



# Invacare® Top End® Force RX™ Handcycle

<sup>3</sup> XLT 82 only available with XLT79 and XLT80.

<sup>4</sup> SRM® Power Meter is a state of the art measuring tool. Not available with 3 chainrings or a chainring less than 39 teeth. Visit SRM.de for more details. The Power Meter is integrated directly into the Top End cranks.

\*Standard discount does not apply to XLT 60,86,87 or to RACE options. Additional shipping charges may apply.

<sup>6</sup> Disk brake requires the Wide Style Lower fork. Only available with Standard and Corima Wheels. Options for limited hand function (XLT 101) requires the Wide Style Lower fork because Disk brake is included.

**Warranty** – 3 year on frame and fork to original owner/limited parts warranty.

**Frame** – Ovalized 7005 aluminum tubing with internal skeletal structure for increased stiffness. Wrap-around ovalized lower frame.

**Fork** – 7005 aluminum, super stiff with adjustable crank housing.

**Wheelbase** – 60" Standard

**Turning Radius** – 18 feet for 360° circle, 12 feet w/one backing maneuver.

**Static Tip Angle** - 39° for 250 lb subject.

**Transfer Seat Height** – 5" with 2" cushion.

**Backrest** – Adjustable fore and aft.

**Back Angle** – Adjustable

**Propulsion System** – Features a combination of SRAM and Top End components, 30 speeds, 48-39-24 chain rings and 11/36 cassette as standard. The 12/36 cassette is operated by the Trigger shifter unit which is mounted on the right (standard) hand pedal. It operates both the 12/36 cassette and the hands-on brake. A thumb shifter/derailleur or manual derailleur is mounted on upper crank operates the top chain rings. A parking brake/second brake is mounted on the fork.

**Crank set** – Top End V crank set with integral pedal bearings are standard. To choose the width for the crank, consider the end user's shoulder width. The width is measured horizontally center to center to the point at the middle of the hand pedal. Length of crank set depends on the length of the arms. The length is measured perpendicular from the center of the crank to the center of the hand pedal spindle. See diagram on page 1.

**Steering** – Pivot fork steering.

**Crank** – Fixed length with vertical adjustment is standard. Optional diagonal and vertical adjustment is available however this option will be heavier and less stiff than the standard fixed length with vertical adjustment.

**Hand pedals** – Hand pedals are made of lightweight aluminum and are ovalized to precisely fit the hand. The bearings which allow the pedal to rotate while pedaling are located in the handle and not in the crank arm, which makes this pedal very comfortable. Power Plates consist of flat aluminum plates welded to the lower end of the pedal.

**Quad Cuff Handpedals with Powerplates** (XLT98) include top and bottom power plates to assist through both the up and down stroke crank rotation, adjustable metal quad cuffs and straps that bolt through top power plate and use hook/loop fastener to attach to quad cuff.

**Footrest** – Multi-adjustable fore and aft w/straps to securely cradle calves and feet. Straps are 4" wide and feature safety straps for ankles.

**Performance wheels** – Black spoked wheels with threaded axles and alloy rims. 14 gauge stainless steel spokes. 26" x 1" (571) High Performance Clincher Tire/Tube 100psi

## Carbon Wheel Upgrades – Threaded axle only

1. 26" Top End Wheels w/Carbon composite rim and stainless spokes. 24 spokes front, 20 spokes rear. Tubular only.
2. 26" Spinergy Wheels w/Carbon rim. Clincher only
3. 26" Time Trial Package: 26" Corima AERO Front Wheel w/ Carbon/Graphite composite rim and stainless ovalized spokes and Corima® Disc Rear Wheels. Tubular only.
4. 26" Corima AERO Wheels w/ Carbon/Graphite composite rim and stainless ovalized spokes. Tubular only.
5. 20" Corima (20 spoke) rear wheels/26" front Corima AERO Wheel w/ Carbon/Graphite composite rim and stainless spokes. Tubular only.

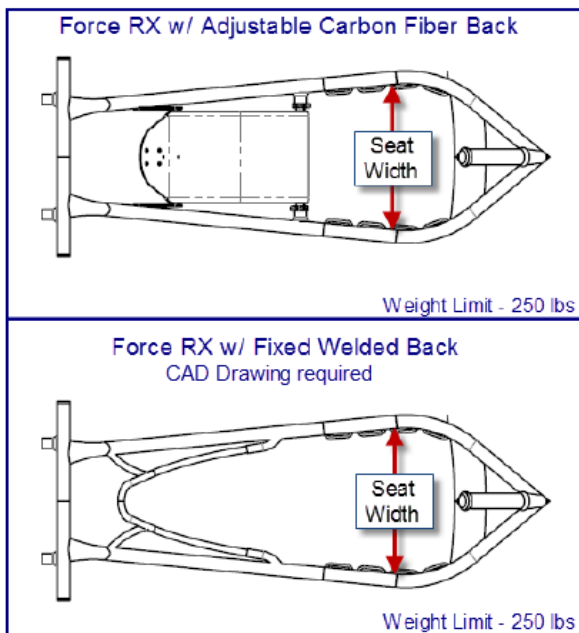
**Upholstery** – Black breathable mesh upholstery with cervical neck support and 2" seat and back cushion standard. Seat restraint included.

**Assembly** – Shipped completely assembled except for rear wheels. Shipping weight is 65 – 70 lbs.

**Options** – See front of form and go to [www.topendwheelchair.com](http://www.topendwheelchair.com) for detailed photos.

Tool bag includes 22 tools in 1, a unique 3 piece design plus tire patch kit, CO2 tire inflators; tire changing tools and zippered tool bag. Everything you need all in one handy pouch.

**Options for limited hand function**-for photos or questions please refer to [www.topendwheelchair.com](http://www.topendwheelchair.com).



**Invacare Corporation** [www.invacare.com](http://www.invacare.com)

## TOP END

Sports and Recreation  
Products  
4501 63<sup>rd</sup> Circle North  
Pinellas Park, FL USA  
33781-5914

All rights reserved. Trademarks are identified by the symbols ™ and ®. All trademarks are owned by or licensed to Invacare Corporation unless otherwise noted.

Shimano and Rapid Fire are registered trademarks of Shimano Inc.

Spinergy is a registered trademark of Spinergy Inc. Zipp is a registered trademark of

Compositech, Inc. Cane Creek is a registered trademark of Cane Creek Cycling

Components. Corima is a registered trademark of Corima SA. SRM is a registered

trademark of SRM Service Center Inc. USA SRAM is a registered trademark of SRAM

Corp. Continental is a registered trademark of Continental Corp. Rotor is a registered

trademark of Rotor Components, LLC. LeMond and Revolution are a registered

trademarks of Lemond Fitness, Inc.

©2014 Invacare Corporation

Form No. 12-381 Rev 03.14  
P2007-029

